

Model 180

150 Watt Illuminator

The Model 180 utilizes a 150 Watt quartz halogen lamp that can deliver upwards of 350,000 footcandles of high intensity, cold illumination in a metal enclosure. It was specifically designed to be durable with the lowest possible audible noise and vibration levels to enable proximal placement of the unit to a microscope or camera without conduction vibrations to the specimen at high magnifications.

The unit is compatible with all Fiber-Lite standard fiber optic and custom fiber light guides and is recommended for use in task environments which require quiet unit operation, extreme individual concentration and minimal specimen vibration transfer.

Ring Light Systems

The Model 180 ring light systems provide high intensity uniform illumination at high magnifications and long working distances without light adjustments when re-focusing or when zoom features are used. Eliminating the clutter and head radiation of conventional light sources and offering better uniformity than LED rings, the Model 180 ring light system is the ideal solution where 360° of shadow free illumination is required.

Single & Dual Arm Systems

The Model 180 "Gooseneck" systems are available in either single or dual models. Featuring self-supporting, flexible light guide assemblies allow users to position the lighting at an optimal angle of incident lighting. These systems also include focusing lenses to optimize the intensity to the spot where light is needed most. These qualities make the Model 180 systems the most versatile system for supplying high intensity and cold illumination in both laboratory & harsh environments.



Model 180

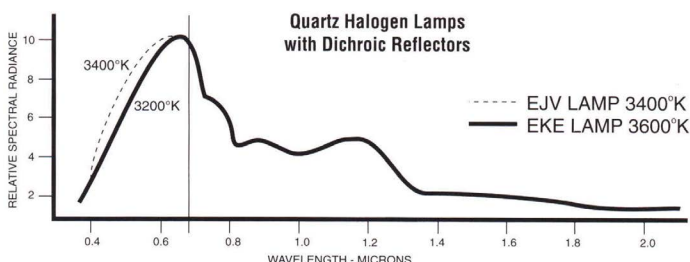
- Low Noise & Vibration
- High Power Wide Spectrum Lamp
- Heavy Duty Steel Enclosure

Model 180 Features:

- 350,000 Footcandles
- High Intensity, Cold Illumination
- Rheostat Intensity Control (50-100%)
- 2 Year Warranty
- Heavy Duty Steel Chassis

Configurations:

- 25mm ID accepts "SX" and "MX" series adapters
- 115 Volt Configuration



Model 180

Standard 150 Watt Illuminator

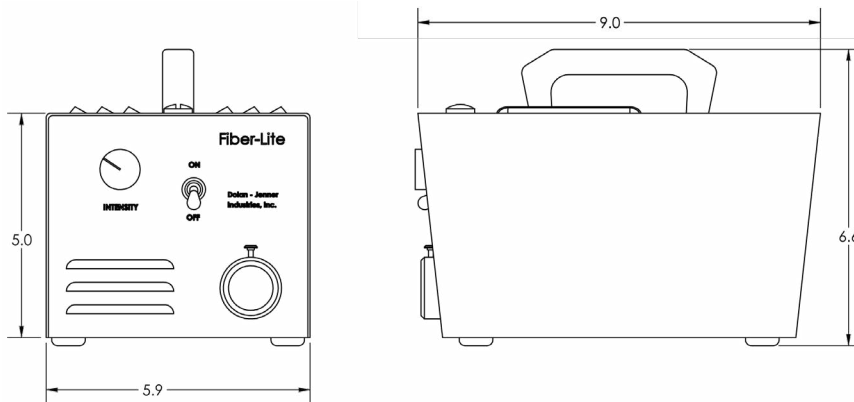
ORDERING INFORMATION

Model & P/N	
180 002818100001	150 Watt Lamp, 115V AC Illuminator (No Fiber Optic)
Option	Description
181-1 660000041001	150 Watt Lamp, 115V AC Illuminator w/ Dual Gooseneck
360-1 660000130001	150 Watt Lamp, 115V AC Illuminator w/ A3739P Ringlight
181B-1 660000041005	150 Watt Lamp, 115V AC Illuminator w/ Single Gooseneck

GENERAL SPECIFICATIONS

Performance Data	
Lamp Output	1750 Lumens at fiber optic intersection plane
Noise Level	25 dB
Electrical Data	
Input Voltage	115V AC
Fuse	2.5A 250V 3AG slow blow (115V AC)
Physical Description	
Dimension	5.9"W x 6.6"H x 9.0"
Weight	9 lbs.
Intensity Control	Rheostat 50-100%
Adapters	SX, A-type adapter series
Lighting Properties	
Lamp	EKE 150 Watt, 21 V qtz halogen
Color Temp.	3250° Kelvin
Lamp Life	200 hrs. full intensity
Fiber Optic Interface	25mm A-Style
Certifications	
None	

DIMENSIONS



SYSTEMS



	180	360-1	181-B	181-1
Fiber Optic Assembly Included	None	60mm ID Ring Light with 36" Cable	Single Gooseneck with Focusing Lens	Dual Gooseneck with 2 Focusing Lenses
Fiber Optic Assembly	None	0.55NA High Quality Glass Fibers (A3739P)	0.55NA High Quality Glass Fibers (BG2820)	0.55NA High Quality Glass Fibers (EEG2823)
Optional IR Filter Available (FSA-100)	√	√	√	√
61010 3rd Ed. Safety Rated	No	No	No	No
Warranty	2 Years	2 Years	2 Years	2 Years