

## Standard Features:

- Diffused Illumination of Reflective Targets
- Factory Hardened, Industrial Rugged Construction
- High Intensity White Light
- Selection from a Variety of Illuminators Including Quartz-Halogen & Strobes
- Cool Temperature Operation
- No Vibration or Noise Generation
- Clean Room Compatible
- Visible Band-Pass Filtering Capability for Color

## DIFFUSED AXIAL ILLUMINATION

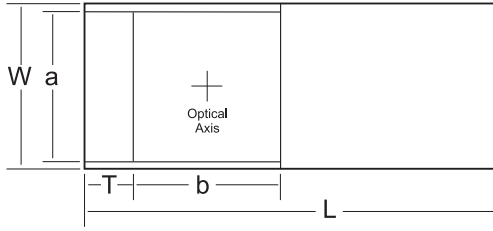
### Model AI-2 & AI-4 Diffused On-Axis Illumination System

The AI-Series optical systems provide wide angle, on-axis, diffused illumination housed in factory hardened, industrial rugged packages. The AI-Series' unique design allows the camera to view the object perpendicularly through the unit. As a result, highly reflective objects with uneven surfaces can reflect light to the camera from every point on their surface, eliminating glints and shadows. The AI-Series optical systems provide more uniform, diffused illumination than most lighting methods.

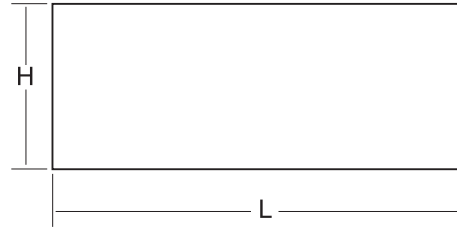
Model & P/N	Description
AI-2 001430010000	Diffusing illumination system w/ 2"x2" viewing window
B448 002112007048	48" light guide for use w/ AI-2 System
B448M 002112424048	48" light guide for use w/ AI-2 System, direct-fit for MI-150 and B-Nose illuminators
AI-4 001430020000	Diffusing illumination system w/ 4"x4" viewing window
MBR3548 002140010048	48" quad multi-branch randomized light guide for use w/ AI-4 System
MBR3548M 002140020048	48" quad multi-branch randomized light guide for use w/ AI-4 System direct-fit for MI-150 and B-Nose illuminators

# AI-2 & AI-4 Dimensions:

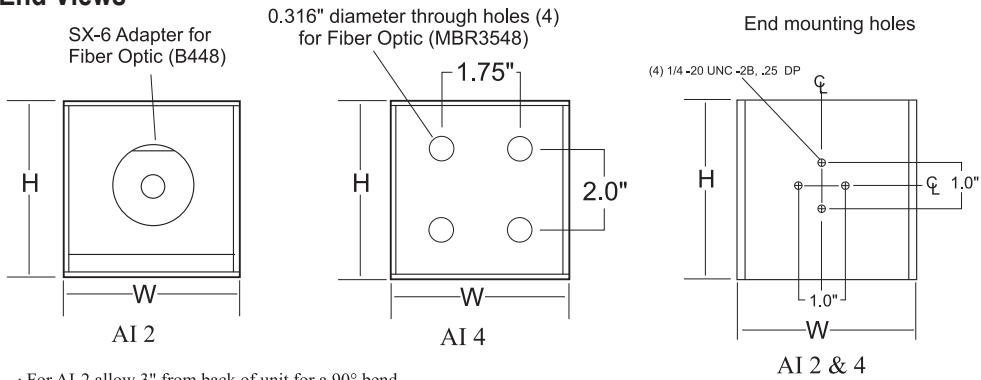
Top View



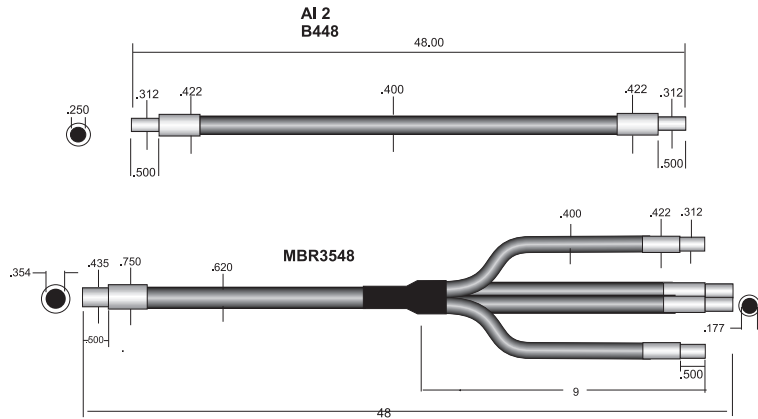
Side View



End Views



- For AI-2 allow 3" from back of unit for a 90° bend. The fiber has a minimum bend radius of 1.5" and the bend should not be attempted for the first .75" after the termination
- For AI-4 allow 3.5" from back of unit for a 90° bend



## Dimensions

Model	a	b	L	W	H	T
AI-2	2.0"	1.75"	5.75"	2.25"	2.0"	.38"
AI-4	4.0"	3.7"	9.0"	4.25"	4.0"	.38"

**Dolan-Jenner**  
industries

Dolan-Jenner Industries  
159 Swanson Rd.  
Boxborough, MA 01719 USA

Phone: 800.833.4237  
Fax: 978.264.0292  
Email: support@dolan-jenner.com

**1.800.83.FIBER**

**WWW.DOLAN-JENNER.COM**