



## Standard Features:

- Condensed Line Outputs for Structured Lighting Applications
- Even Distribution of Light Over the Width of the Beam
- Increased Working Distances
- Minimal Stray Light

## LHF-Series Rod Lenses

### LHF-Series Rod Lenses For QF & QDF Series Line Lights Up to 10"

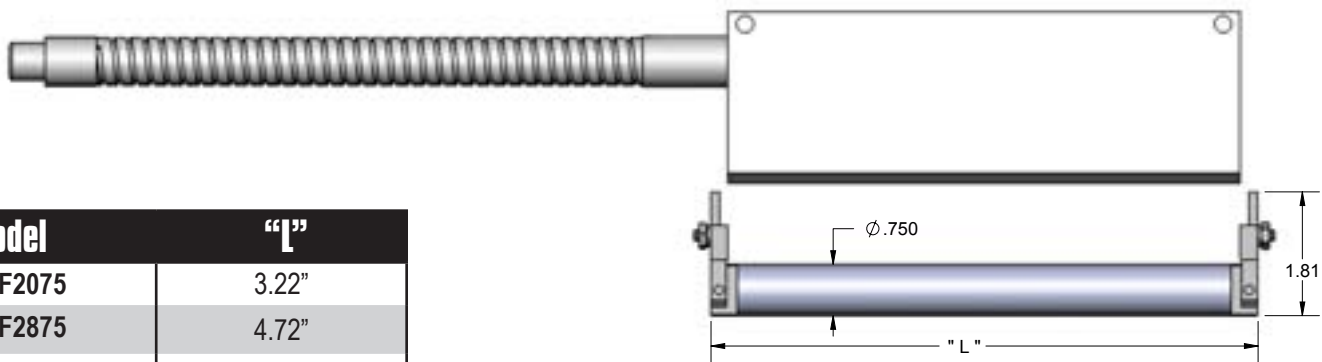
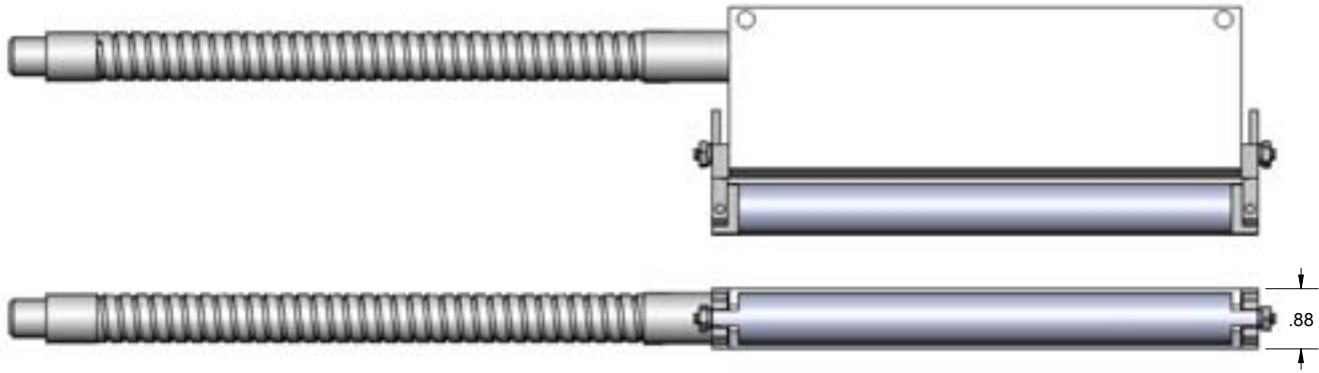
Increased illumination throuput or stand-off distances and uniform lines of light are critical for line scanning inspection and machine vision applications. Dolan-Jenner rod lenses, when used with our fiber optic line lights, provide a light stripe in excess of 7,000 foot candles at 12 inches, 10x brighter than a non-lens setup.

### Specifications

Rod Lens Diameter	WD	Material	Min Line Thickness
.75"	1"	Acrylic	0.125"
.75"	3"	Acrylic	0.250"
.75"	6"	Acrylic	0.375"
.75"	12"	Acrylic	0.500"

Model & P/N	Description	Line Light Length
LHF2075 700011701001	Rod Lens for QF20 & QDF20	1.5"
LHF2875 700011701003	Rod Lens for QF28 & QDF28	3"
LHF3975 700011701006	Rod Lens for QF39 & QDF39	6"
LHF5075 700011701010	Rod Lens for QF50 & QDF50	10"

# Rod Lens Dimensions:



Model	"L"
LHF2075	3.22"
LHF2875	4.72"
LHF3975	8.22"
LHF5075	12.22"

**Dolan-Jenner**  
*industries*

Dolan-Jenner Industries  
159 Swanson Rd.  
Boxborough, MA 01719 USA

Phone: 800.833.4237  
Fax: 978.264.0292  
Email: support@dolan-jenner.com

**1.800.83.FIBER**

**WWW.DOLAN-JENNER.COM**