

LPA Series

Low Profile Ringlight

Dolan-Jenner's ring lights provides excellent uniformity, intense shadow-free on-axis lighting and are especially useful when imaging or inspecting highly reflective objects. The ring light illumination systems provide high intensity illumination at the highest magnification and long working distances without light adjustment when refocusing or when zoom features are used. The fiber optic system will eliminate the clutter and head radiation of multiple conventional light sources.

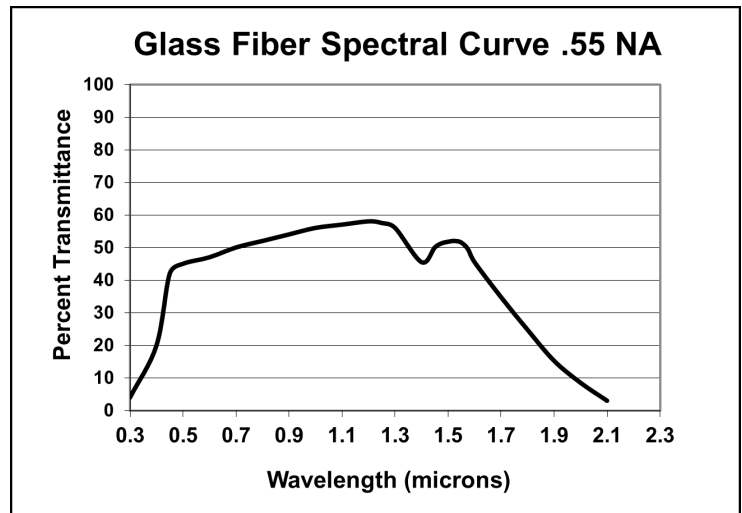
The LPA series fiber optic output is an annular (ring) configuration supplying 360 degrees of brilliant, oblique and even cross-illumination directed toward the optical axis at working distances from 1.5 to 9.0 inches (4 – 23 cm). Fits objective lenses 60mm-66mm diameter. Fits the most common stereo microscope objective diameters of 2" (50.8mm) through 2.6" (66mm).

To further reduce specular reflections from shiny surfaces, ring lights can be used in combination with a polarizer and analyzer.

PRODUCT SPECIFICATIONS	
Fiber Material	Borosilicate Glass
Numerical Aperture	0.55 nominal
Acceptance (cone) Angle	68 degrees nominal
Fiber Bundle Diameter	0.364"
Temperature Rating	225°F
Packing Fraction	82% nominal
Sheathing Material	Flexible PVC Coated Metal Hose
Bend Radius	3.0"
Ring Light Head Housing Material	Black Anodized Aluminum
Input End Ferrule Material	303 Stainless Steel
Mounting Type	3 No-mar Thumbscrews (4-40)
RoHS	Yes
Accessories (Optional)	LP-PLZ Analyzer Polarizer
Warranty	12 Months



Mi-LED-US-RB





LP25A36M



LPA36M

LPA Series - High gloss anodized housing, PVC coated metal hose sheathing

Fits: 60- 66mm Objectives • Mounting: 3 Thumb Screws • Working Distance: 1.5in. - 9.0in.

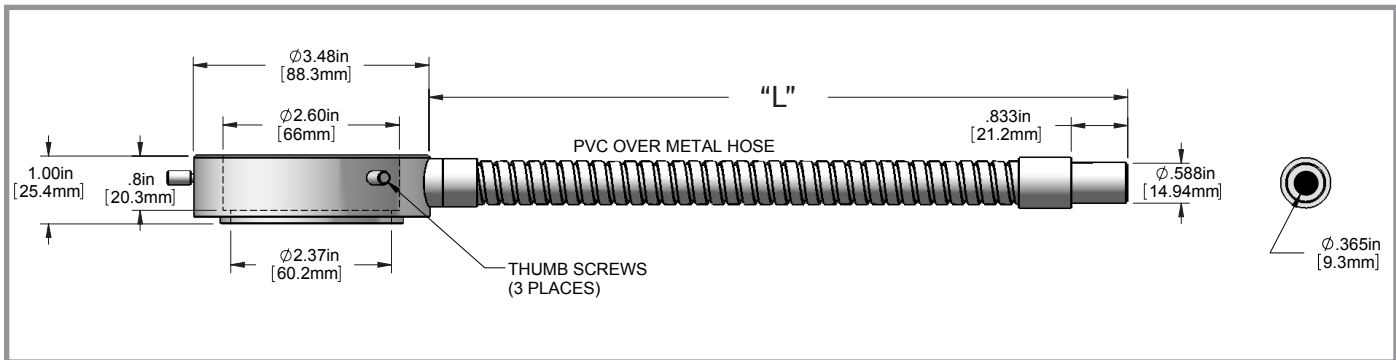
Model	Part #	Cable Length (in.) "L"	End Tip Dia. (in.)	Light Source Adapter for .590 (15mm) Input	Light Source Adapter for 1.00 (25mm) Input	Optional Polarizer	Optional Dark Field Reflector
LPA36M	002190140036	36	.588	Direct Fit	SX-13		
LPA36	700014800036	36	.562	N/A	SX-10		
LPA48M	002190140048	48	.588	Direct Fit	SX-13		
LPA72M	002190140072	72	.588	Direct Fit	SX-13		

LP25A Series - High gloss anodized housing, PVC coated metal hose sheathing

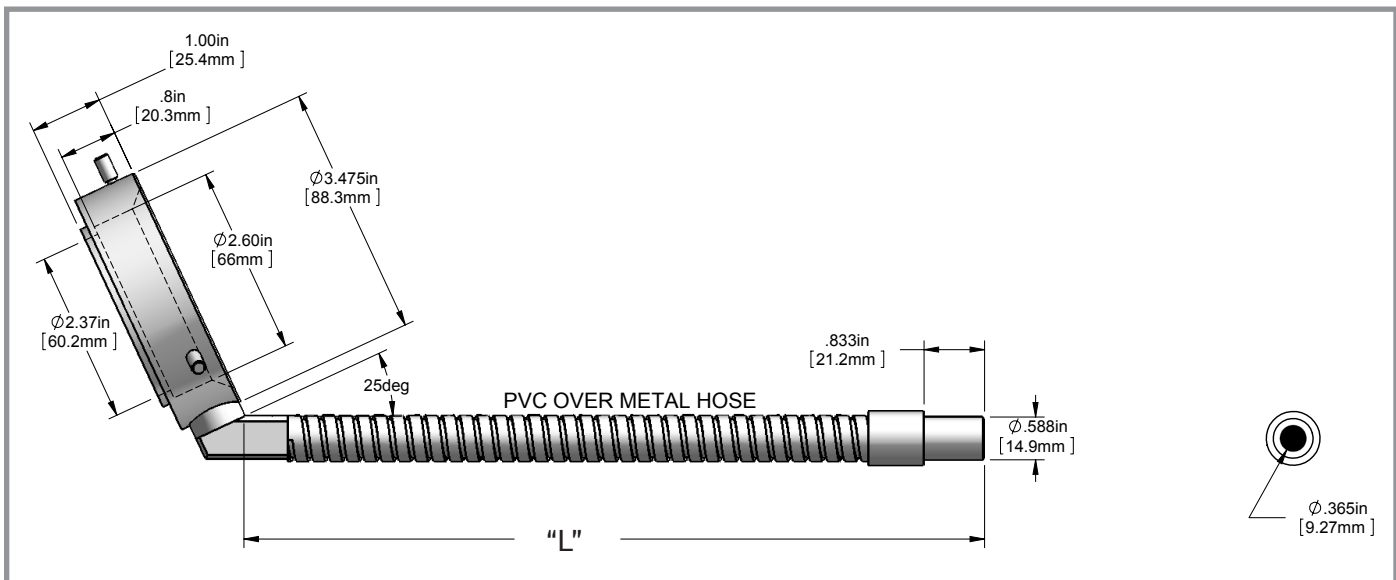
Fits: 60- 66mm Objectives • Mounting: 3 Thumb Screws • Working Distance: 1.5in. - 9.0in.

Model	Part #	Cable Length (in.) "L"	End Tip Dia. (in.)	Light Source Adapter for .590 (15mm) Input	Light Source Adapter for 1.00 (25mm) Input	Optional Polarizer	Optional Dark Field Reflector
LP25A36M	002190170036	36	.588	Direct Fit	SX-13	LP-PLZ	LP-DFR
LP25A48M	002190170048	48	.588	Direct Fit	SX-13		
LP25A72M	002190170072	72	.588	Direct Fit	SX-13		

LPA - "L" - M Dimensions:



LP25A - "L" - M Dimensions:



Note: Ring lights available in variety of lengths. 36 inch version shown in diagram above. Please contact Dolan-Jenner for availability on length variations. Please note two standard end ferrules available along with many custom designs.